



Service Manual

Lexmark 3200 Color Jetprinter™

4097-00X

- *Table of Contents*
- *Start Diagnostics*
- *Safety and Notices*
- *Trademarks*
- *Index*
- *Manuals Menu*

LEXMARK™

Lexmark and Lexmark with diamond design are trademarks of Lexmark International, Inc., registered in the United States and/or other countries.

First Edition (June, 1998)

The following paragraph does not apply to any country where such provisions are inconsistent with local law: LEXMARK INTERNATIONAL, INC. PROVIDES THIS PUBLICATION "AS IS" WITHOUT WARRANTY OF ANY KIND, EITHER EXPRESS OR IMPLIED, INCLUDING, BUT NOT LIMITED TO, THE IMPLIED WARRANTIES OF MERCHANTABILITY OR FITNESS FOR A PARTICULAR PURPOSE. Some states do not allow disclaimer of express or implied warranties in certain transactions, therefore, this statement may not apply to you.

This publication could include technical inaccuracies or typographical errors. Changes are periodically made to the information herein; these changes will be incorporated in later editions. Improvements or changes in the products or the programs described may be made at any time.

Comments may be addressed to Lexmark International, Inc., Department D22/035-3, 740 New Circle Road N.W., Lexington, Kentucky 40550, U.S.A. Lexmark may use or distribute any of the information you supply in any way it believes appropriate without incurring any obligation to you. You can purchase additional copies of publications related to this product by calling 1-800-553-9727. In other countries, contact your point of purchase.

Lexmark and Lexmark with diamond design are trademarks of Lexmark International, Inc., registered in the United States and/or other countries.

Color Jetprinter is a trademark of Lexmark International, Inc.

Other trademarks are the property of their respective owners.

© Copyright Lexmark International, Inc. 1998.

All rights reserved.

UNITED STATES GOVERNMENT RESTRICTED RIGHTS

This software and documentation are provided with RESTRICTED RIGHTS. Use, duplication or disclosure by the Government is subject to restrictions as set forth in subparagraph (c)(1)(ii) of the Rights in Technical Data and Computer Software clause at DFARS 252.227-7013 and in applicable FAR provisions: Lexmark International, Inc., Lexington, KY 40550.

Table of Contents

Preface	v
Safety Information	vi
General Information	1-1
Power Consumption	1-1
Operator Panel	1-1
Maintenance Approach	1-2
Abbreviations	1-2
Diagnostic Information	2-1
Start	2-1
Indicator Light Table	2-1
Power-On Self Test (POST) Sequence	2-2
POST Symptom Table	2-2
Symptom Tables	2-3
Service Checks	2-5
Carrier Transport Service Check	2-5
Maintenance Station Service Check	2-7
Paper Feed Service Check	2-8
Paper Path Service Check	2-10
Power Service Check	2-11
Print Quality Service Check	2-12
Diagnostic Aids	3-1
Test Page	3-1
Repair Information	4-1
Handling ESD-Sensitive Parts	4-1
Adjustments	4-2
Removal Procedures	4-2
Releasing Plastic Latches	4-2
Connector Locations	5-1
Preventive Maintenance	6-1
Lubrication Specifications	6-1
Parts Catalog	7-1
Index	I-1

Preface

This manual is divided into the following chapters:

1. **General Information** contains a general description of the printer and the maintenance approach used to repair it. Special tools and test equipment are listed in this chapter, as well as general environmental and safety instructions.
2. **Diagnostic Information** contains an error indicator table, symptom tables, and service checks used to isolate failing field replaceable units (FRUs).
3. **Diagnostic Aids** contains tests and checks used to locate or repeat symptoms of printer problems.
4. **Repair Information** provides instructions for making printer adjustments and removing and installing FRUs.
5. **Connector Locations** uses illustrations to identify the connector locations and test points on the printer.
6. **Preventive Maintenance** contains the lubrication specifications and recommendations to prevent problems.
7. **Parts Catalog** contains illustrations and part numbers for individual FRUs.

Safety Information

- This product is designed, tested and approved to meet strict global safety standards with the use of specific Lexmark components. The safety features of some parts may not always be obvious. Lexmark is not responsible for the use of other replacement parts.
- The maintenance information for this product has been prepared for use by a professional service person and is not intended to be used by others.
- There may be an increased risk of electric shock and personal injury during disassembly and servicing of this product. Professional service personnel should understand this and take necessary precautions.

Consignes de Sécurité

- Ce produit a été conçu, testé et approuvé pour respecter les normes strictes de sécurité globale lors de l'utilisation de composants Lexmark spécifiques. Les caractéristiques de sécurité de certains éléments ne sont pas toujours évidentes. Lexmark ne peut être tenu responsable de l'utilisation d'autres pièces de rechange.
- Les consignes d'entretien et de réparation de ce produit s'adressent uniquement à un personnel de maintenance qualifié.
- Le démontage et l'entretien de ce produit pouvant présenter certains risques électriques, le personnel d'entretien qualifié devra prendre toutes les précautions nécessaires.

Norme di sicurezza

- Il prodotto è stato progettato, testato e approvato in conformità a severi standard di sicurezza e per l'utilizzo con componenti Lexmark specifici. Le caratteristiche di sicurezza di alcune parti non sempre sono di immediata comprensione. Lexmark non è responsabile per l'utilizzo di parti di ricambio di altri produttori.
- Le informazioni riguardanti la manutenzione di questo prodotto sono indirizzate soltanto al personale di assistenza autorizzato.
- Durante lo smontaggio e la manutenzione di questo prodotto, il rischio di subire scosse elettriche e danni alla persona è più elevato. Il personale di assistenza autorizzato, deve, quindi, adottare le precauzioni necessarie.

Sicherheitshinweise

- Dieses Produkt und die zugehörigen Komponenten wurden entworfen und getestet, um beim Einsatz die weltweit gültigen Sicherheitsanforderungen zu erfüllen. Die sicherheitsrelevanten Funktionen der Bauteile und Optionen sind nicht immer offensichtlich. Sofern Teile eingesetzt werden, die nicht von Lexmark sind, wird von Lexmark keinerlei Verantwortung oder Haftung für dieses Produkt übernommen.
- Die Wartungsinformationen für dieses Produkt sind ausschließlich für die Verwendung durch einen Wartungsfachmann bestimmt.
- Während des Auseinandernehmens und der Wartung des Geräts besteht ein zusätzliches Risiko eines elektrischen Schlags und körperlicher Verletzung. Das zuständige Fachpersonal sollte entsprechende Vorsichtsmaßnahmen treffen.

Pautas de Seguridad

- Este producto se ha diseñado, verificado y aprobado para cumplir los más estrictos estándares de seguridad global usando los componentes específicos de Lexmark. Puede que las características de seguridad de algunas piezas no sean siempre evidentes. Lexmark no se hace responsable del uso de otras piezas de recambio.
- La información sobre el mantenimiento de este producto está dirigida exclusivamente al personal cualificado de mantenimiento.
- Existe mayor riesgo de descarga eléctrica y de daños personales durante el desmontaje y la reparación de la máquina. El personal cualificado debe ser consciente de este peligro y tomar las precauciones necesarias.

Informações de Segurança

- Este produto foi concebido, testado e aprovado para satisfazer os padrões globais de segurança na utilização de componentes específicos da Lexmark. As funções de segurança de alguns dos componentes podem não ser sempre óbvias. A Lexmark não é responsável pela utilização de outros componentes de substituição.
- As informações de segurança relativas a este produto destinam-se a profissionais destes serviços e não devem ser utilizadas por outras pessoas.
- Risco de choques eléctricos e ferimentos graves durante a desmontagem e manutenção deste produto. Os profissionais destes serviços devem estar avisados deste facto e tomar os cuidados necessários.

Informació de Seguretat

- Aquest producte està dissenyat, comprovat i aprovat per tal d'acomplir les estrictes normes de seguretat globals amb la utilització de components específics de Lexmark. Les característiques de seguretat d'algunes peces pot ser que no sempre siguin òbvies. Lexmark no es responsabilitza de l'us d'altres peces de recanvi.
- La informació pel manteniment d'aquest producte està orientada exclusivament a professionals i no està destinada a ningú que no ho sigui.
- El risc de xoc elèctric i de danys personals pot augmentar durant el procés de desmuntatge i de servei d'aquest producte. El personal professional ha d'estar-ne assabentat i prendre les mesures convenients.

안전 사항

- 본 제품에 관한 유지 보수 설명서는 전문 서비스 기술자 용으로 작성된 것이므로 비 전문가가 사용할 수 없습니다.
- 본 제품을 해체하거나 정비할 경우 전기적인 충격을 받거나 상처를 입을 위험이 커집니다. 전문 서비스 기술자는 이 사실을 숙지하고 필요한 예방 조치를 취하도록 하십시오.
- 일부 부품의 안전성은 항상 보장되지 않습니다. 따라서, 교체 부품은 원래 부품과 같거나 동등한 특성을 가진 제품을 사용하여야 합니다.

安全资讯

- 本产品的维护资讯仅供专业服务人员使用，而非针对一般使用者。
- 本产品在拆卸、维修的时候，遭受电击或人员受伤的危险性会增高，专业服务人员对这点必须有所了解，并采取必要的预防措施。
- 有些零件的安全功能可能不明显。因此，所替换零件的性能一定要与原有的零件一致。

1. General Information

The Lexmark 3200 Color Jetprinter™ is a personal, near laser-quality inkjet printer. The printer contains single-unit customer replaceable supply items. Dual printheads provide color and true black printing without changing printheads. The black cartridge has a total of 208 nozzles and installs on the right. The color cartridge has a total of 192 nozzles and installs on the left. The printer is capable of printing in two directions from either cartridge.

Power Consumption

- <8 Watts - power off and power to the printer
- 8 Watts - Idle Mode (power on - not printing)
- 15 Watts - Printing (average)
- 25 Watts - Printing (peak)

Operator Panel

Buttons	Lights
Left Button <ul style="list-style-type: none"> • Power On/Off 	Left Light <ul style="list-style-type: none"> • Steady - Power On • Flashing - Printer Error
Right Button <ul style="list-style-type: none"> • Paper Feed - clears a paper jam or loads paper when there is a paper out condition. 	Right Light <ul style="list-style-type: none"> • Steady - Busy • Flashing - Paper Out/Jam

Maintenance Approach

The diagnostic information in this manual leads you to the correct field replaceable unit (FRU) or part. Use the symptom index, service checks, and diagnostic aids to determine the symptom and repair the failure. Begin with **“Indicator Light Table” on page 2-1**.

After you complete the repair, perform tests as needed to verify the repair.

Abbreviations

ESD	Electrostatic Discharge
FRU	Field Replaceable Unit
HVPS	High Voltage Power Supply
LVPS	Low Voltage Power Supply
OEM	Original Equipment Manufacturer
V ac	Volts alternating current
V dc	Volts direct current
ZIF	Zero Insertion Force

2. Diagnostic Information

Start

Use the indicator light table, the symptom tables, service checks, and diagnostic aids in chapter 3, to determine the printer failure.

Indicator Light Table

Indicator Light	Indicates
Power light on	Machine is on.
Power light on and busy light flashes two times	Paper out.
Power light on and busy light flashes on and off	Paper jam.
Power light and busy light flash	Go to the “Carrier Transport Service Check” on page 2-5.
Both lights on at the same time	Printer is busy or printing.

Power-On Self Test (POST) Sequence

Turn the printer on and check for a correct POST operation by observing the following:

1. The power light comes on.
2. The carrier moves over the maintenance station two times and seals the printheads.
3. The paper feed gears turn.
4. All motors stop and the power light stays on.

If your printer completes POST with no errors, go to the **“Symptom Tables” on page 2-3**, locate the symptom and take the indicated action.

If your printer does not complete POST, locate the symptom in the following table and take the indicated action.

POST Symptom Table

Symptom	Action
No power light and no motors run	Go to the “Power Service Check” on page 2-11.
Paper feed gears do not turn	Go to the “Paper Feed Service Check” on page 2-8.
Carrier does not move	Go to the “Carrier Transport Service Check” on page 2-5.
Carrier slams side frame	Go to the “Carrier Transport Service Check” on page 2-5.
No busy light	Replace the operator panel, or the system board.

Symptom Tables

Locate the symptom in the following tables and take the appropriate action.

Carrier Transport Problems

Symptom	Action
<ul style="list-style-type: none"> • No carrier movement • Slow carrier movement • Carrier stops • Carrier slams side frame 	Go to the “Carrier Transport Service Check” on page 2-5.

Maintenance Station Problems

Symptom	Action
Maintenance station: <ul style="list-style-type: none"> • Fails to cap the printheads • Fails to clean the printheads 	Go to the “Maintenance Station Service Check” on page 2-7.

Operator Panel Problems

Symptom	Action
<ul style="list-style-type: none"> • Paper feed or power buttons do not operate • Busy or paper feed lights do not come on 	Replace the operator panel, or the system board.

Paper Feed Problems

Symptom	Action
<ul style="list-style-type: none"> • Fails to pick paper • Picks more than one sheet of paper • Picks paper but fails to feed • Paper jams • Paper fails to exit • Noisy paper feed 	Go to the “Paper Feed Service Check” on page 2-8.
Envelopes fail to feed	Go to the “Paper Feed Service Check” on page 2-8.
Paper skews	Go to the “Paper Path Service Check” on page 2-10.

Power Problems

Symptom	Action
No power in machine, motors do not operate	Go to the “Power Service Check” on page 2-11.

Print Quality Problems

Symptom	Action
<ul style="list-style-type: none"> • Voids in characters • Light print • Prints off the page • Fuzzy print • Carrier moves but no print • Printhead dries prematurely • Colors print incorrectly • Vertical alignment off 	Go to the “Print Quality Service Check” on page 2-12.
<ul style="list-style-type: none"> • Ink smearing • Vertical streaks on paper • Print lines crowded 	Go to the “Paper Feed Service Check” on page 2-8.

Service Checks

Carrier Transport Service Check

	FRU	Action
1	System Board	Unplug the printer and disconnect the carrier transport motor connector (J4) from the system board. Plug in the printer and check for approximately 12 V dc between (J4-1) and ground. If the voltage is incorrect, replace the system board. If the voltage is correct, check for carrier transport motor pins shorted to the housing. If a short is detected, replace the carrier transport motor.
2	Carrier Transport Motor	<p>Check the motor for binds, or loose motor pulley.</p> <p>A noisy or chattering motor or a motor that fails to turn can be caused by:</p> <p>An open or short in the motor.</p> <p>An open or short in the motor driver on the system board.</p> <p>A bind in the carrier transport mechanism.</p> <p>With the carrier transport motor cable disconnected from the system board, check for zero to ten (0 - 10) ohms between the following pins on the motor:</p> <p>J4-1 and J4-2 J4-3 and J4-4</p> <p>If the readings are incorrect, replace the motor.</p>
3	Carrier Guide Rod	<p>Clean the carrier rod.</p> <p>Note: Lubricate the rod and the carrier rod bearing surfaces with grease P/N 99A0394.</p>
4	Carrier Transport Belt Idler Pulley Parts Carrier Frame	<p>Check for worn, loose or broken parts. Check for obstructions blocking carrier movement.</p> <p>Carrier to carrier frame engagement should be lubricated with grease P/N 99A0394.</p>

	FRU	Action
5	Printhead Cable / Home Sensor	Disconnect the printer and check the carrier printhead connector (J1). If the connection is good, remove the printhead carrier and rod, without disconnecting the printhead cables. Insert a piece of paper into the sensor. Plug in the printer and check for 5 V dc at connection (C) located on the rear of the sensor. The voltage drops when paper is removed. If voltage does not change when paper is removed, replace the home position sensor. If the problem remains, replace the system board.
6	Maintenance Station	A problem with the maintenance station can cause carrier movement problems at the right margin. Go to the “Maintenance Station Service Check” on page 2-7.
7	Access Cover Sensor	If the carrier does not move toward the cartridge load position when the access cover is opened, verify that power is on. If the carrier still does not move, check the actuator arm for binds. If the arm is working correctly, replace the system board.

Maintenance Station Service Check

The maintenance station has two functions:

1. Cleans the printhead nozzles during the print operation.
2. Seals the printhead when it is not being used to prevent the nozzles from drying.

	FRU	Action
1	Maintenance Station Assembly	<p>As the carrier moves to the right over the maintenance station, a slot on the bottom of the carrier engages a tab on the sled of the maintenance station causing the cap to rise and seal the printhead. Carrier movement to the left uncaps the printhead. The wiper cleans the printhead nozzles as the carrier leaves the maintenance station. The wiper cleans the printhead only when the carrier is moving to the left. There should be no wiping action of the printhead nozzles when the carrier is moving to the right. After the cleaning operation is complete, a tab on the maintenance station engages a tab on the carrier, causing the wiper to lower.</p> <p>Check the maintenance station for worn or broken parts.</p>
2	Wiper	Worn wipers cause degraded print quality just after a maintenance cleaning. Check for loose or worn wipers.
3	Cap	Worn caps cause the printhead nozzles to dry and clog. Check for loose or worn caps.

Paper Feed Service Check

If your machine does not have paper jam problems, continue with the service check. If your machine does have a paper jam problem, examine it for the following before you begin the service check:

- Check the entire paper path for obstructions.
- Be sure there is not too much paper in the sheet feeder.
- Be sure the correct type of paper is being used.
- Check for static in the paper.

	FRU	Action
1	System Board	Unplug the printer and disconnect the paperfeed motor (J3) from the system board. Plug the printer in and check for approximately 9 - 12 V dc between (J3-1) and ground and (J3-2) and ground on the system board. If the voltage is not present, check for motor pins shorted to the motor housing. If you find a shorted pin, replace the motor. If you still have a failure after replacing the motor, replace the system board.

	FRU	Action
2	Paper Feed Motor	<p>A noisy or chattering motor or a motor that fails to turn, can be caused by:</p> <ul style="list-style-type: none"> • An open or short in the motor • An open or short in the motor driver on the system board • A bind in the paper feed mechanism <p>With the paper feed motor cable disconnected from the system board, check for approximately 10 ohms between the following pins on the motor:</p> <p>Pin 1 to Pin 2 Pin 3 to Pin 4</p> <p>If the readings are incorrect, replace the motor.</p> <p>Although the paper feeds in a forward direction only, the paper feed motor turns in two directions. If the paper feed motor turns in one direction only, replace the system board.</p> <p>Binds in the paper feed motor or gear train can cause intermittent false paper jam errors. Remove the paper feed motor and check the shaft for binds. Also check for loose or worn motor gear.</p>
3	Drive Train Assembly	<p>Check for binds in the gear train and paper feed mechanism by removing the paper feed motor and rotating the large gear by hand. If you notice a bind, replace the drive train assembly. Check the feed clutch inside the large feed gear.</p>
4	Auto Sheet Feeder	<p>Check the pick rollers for wear.</p>
5	Mid Frame Asm	<p>Check the following for wear:</p> <ul style="list-style-type: none"> • Exit roller • Star rollers
6	End-of-Forms Flag and Spring	<p>Check for binds or damage. If binds are found, replace the small feed roll bracket assembly.</p>

Paper Path Service Check

Examine the machine for the following before you begin this service check:

- Check the entire paper path for obstructions.
- Be sure the correct type of paper is being used.
- Be sure the printer is installed on a flat surface.

	FRU	Action
1	Large and Small Feed Rollers	Check for wear and binds.
2	Small Feed Roller Springs	Check for damage.
3	Auto Sheet Feeder	Check the pick rollers for wear.
4	Mid Frame Asm	Check the following for wear: <ul style="list-style-type: none">• Exit roller• Star rollers
5	End-of-Forms Flag	Check for binds or damage.

Power Service Check

	FRU	Action
1	External Power Supply	Plug the external power supply into an outlet. Check for + 30 V dc. If you do not have correct voltage, replace the external power supply.
2	Power Connector	Disconnect the external power supply and disconnect the (J5) power connector from the system board. If continuity is incorrect, replace the power connector.
3	Printhead Cable Carrier Home Sensor Parallel Cable Paper Feed Motor Carrier Transport Motor Operator Panel	Unplug the printer. Disconnect one of the printhead cables and plug in the printer. Look for a symptom change. Check the failing part for shorts and replace as necessary. Repeat this procedure for the carrier home sensor, parallel cable, carrier transport motor, paper feed motor and operator panel.
4	System Board	If the symptom has not changed, replace the system board.

Print Quality Service Check

	FRU / Function	Action
1	Print Cartridge	Be sure the machine contains good print cartridges.
2	Color Print Cartridge Cross Contamination	<p>Cross contamination of color inks results in incorrect colors printed, as when green prints for yellow, (when yellow and blue are mixed in the print cartridge). This problem resolves quickly as the print cartridge is used.</p> <p>If cross contamination occurs, check the following:</p> <ul style="list-style-type: none"> • The maintenance station wiper for damage. • The printhead nozzle plate was resealed with tape.
3	Printhead Carrier Assembly	<p>Reseat the printhead cables in the system board and check the following parts for wear or damage:</p> <ul style="list-style-type: none"> • Print Cartridge Latch • Latch Spring • Carrier
4	System Board Printhead Cable Rubber Backer	<p>Run the “Test Page” on page 3-1. A void in the print indicates one or more print nozzles are not working. Run the test again to verify the failure. Be sure the printhead cables are connected properly.</p> <p>Remove the print cartridges and check the gold-plated contacts on the end of the printhead carrier cable for dirt, wear and damage. Use only a clean dry cloth to clean the contacts.</p> <p>A worn rubber backer results in poor contact between the printhead carrier cable and the print cartridge. Check the rubber backer for wear.</p> <p>If the symptom remains, replace the system board.</p>
5	Maintenance Station	<p>Intermittent nozzle failures can be caused by worn parts in the maintenance station. Perform the “Maintenance Station Service Check” on page 2-7, then return to this check.</p>

	FRU / Function	Action
6	Paper Feed	<p>Ink smudging and smearing can be caused by paper problems or problems in the paper feed area.</p> <p>Check the following:</p> <ul style="list-style-type: none"> • Correct type of paper is being used. Also check the paper for curl or wrinkles. • Feed rollers for wear, dirt, or looseness. • Gears for wear or binds. • Paper path for obstructions.
7	Carrier Transport	<p>Blurred print and voids can be caused by problems in the carrier transport area. Check the following:</p> <ul style="list-style-type: none"> • Carrier transport belt for wear. • Carrier guide rod for wear or dirt. If dirty, clean and lubricate. • Carrier to carrier frame engagement should be lubricated with grease P/N 99A0394. • Idler pulley parts for wear, damage, or looseness.
8	Alignment	<p>Uneven vertical lines can be adjusted by performing the bidirectional alignment. The user is directed, through the Printer Control program, to perform the bidirectional printing alignment, when replacing a print cartridge.</p>
9	Mid Frame Brackets	<p>Banding or uneven print on photo quality images.</p> <p>Be sure the printer contains the mid frame brackets. If not, order a new mid frame and install the mid frame brackets which are included in the FRU.</p>

3. Diagnostic Aids

Test Page

This test prints the test page.

To run a complete test page of black and color patterns, be sure the print cartridges are in good condition. Install a black print cartridge in the right side of the printhead cradle and a color printhead cartridge in the left side.

To enter the test:

1. Turn the printer on
2. Be sure there is paper in the sheet feeder.
3. Press the power and paper feed buttons at the same time and hold for approximately five seconds, until the test starts.

The test will run until the power button is depressed.

The first three lines are color print cartridge nozzle purge patterns. The next line is a black print cartridge nozzle purge pattern.

These test patterns are used to verify all print cartridge nozzles are working properly. There should be no breaks in the test patterns. A break in the pattern indicates one or more nozzles are not working.

If a print quality problem exists, see **“Print Quality Service Check” on page 2-12.**

4. Repair Information

This chapter explains how to make adjustments to the printer and how to remove defective parts.

Note: Read the following before handling electronic parts.

Handling ESD-Sensitive Parts

Many electronic products use parts that are known to be sensitive to electrostatic discharge (ESD). To prevent damage to ESD-sensitive parts, follow the instructions below in addition to all the usual precautions, such as turning off power before removing logic boards:

- Keep the ESD-sensitive part in its original shipping container (a special “ESD bag”) until you are ready to install the part into the machine.
- Make the least-possible movements with your body to prevent an increase of static electricity from clothing fibers, carpets, and furniture.
- Put the ESD wrist strap on your wrist. Connect the wrist band to the system ground point. This discharges any static electricity in your body to the machine.
- Hold the ESD-sensitive part by its edge connector shroud (cover); do not touch its pins. If you are removing a pluggable module, use the correct tool.
- Do not place the ESD-sensitive part on the machine cover or on a metal table; if you need to put down the ESD-sensitive part for any reason, first put it into its special bag.
- Machine covers and metal tables are electrical grounds. They increase the risk of damage because they make a discharge path from your body through the ESD-sensitive part. (Large metal objects can be discharge paths without being grounded.)
- Prevent ESD-sensitive parts from being accidentally touched by other personnel. Install machine covers when you are not working on the machine, and do not put unprotected ESD-sensitive parts on a table.
- If possible, keep all ESD-sensitive parts in a grounded metal cabinet (case).
- Be extra careful in working with ESD-sensitive parts when cold weather heating is used because low humidity increases static electricity.

Adjustments

The user is directed, in the Printer Control program, to perform the bidirectional alignment adjustments after replacing a print cartridge.

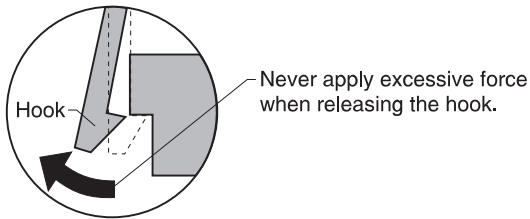
Removal Procedures

The following procedures are arranged according to the name of the printer part discussed.

CAUTION: Unplug the power cord before removing any parts.

Releasing Plastic Latches

Many of the parts are held in place with plastic latches. The latches break easily; release them carefully. To remove such parts, press the hook end of the latch away from the part to which it is latched.



Access Cover Removal

1. Open the access cover.
2. Push the mounting tabs toward the center of the machine.
3. Remove the access cover.

Buttons / Lenses Removal

1. Remove the front cover.
2. Depress the button clips and remove the buttons.
3. Lift and remove the lenses.

Carrier Belt / Idler Pulley Removal

1. Remove the front cover.
2. Remove the printhead carrier without disconnecting the system board cables.
3. Remove the carrier belt.
4. Depress the latch on the idler pulley, slide it to the left and remove.

Carrier Frame Assembly / Base Removal

1. Remove the front cover.
2. Remove the six screws that secure the carrier frame to the base assembly.
3. Remove the paper guide.
4. Tilt the lower part of the carrier frame up and remove the carrier frame.

Note: Be sure the parallel cable clips are not trapped inside the cover.

Carrier Transport Motor Removal

1. Remove the front cover.
2. Remove the carrier frame.
3. Disconnect the carrier transport motor connector from the system board.
4. Remove the belt from the carrier transport motor pulley.
5. Unlatch the right side of the sheet feeder and unhook the carrier transport motor cable.
6. Remove the two screws securing the carrier transport motor to the carrier frame and remove the motor. Note the routing of the motor cable.

Exit Roller Assembly Removal

1. Remove the front cover.
2. Unlatch and remove the exit roller bushing from the left side of the gear plate. Note of the position of the spring located on the end of the exit roller shaft.
3. Remove the spring and lift the exit roller out of the machine.

Front Cover Removal

1. Remove the two cover mounting screws from the upper rear corners of the of the rear cover. When reassembling, do not overtighten these screws as they will damage the plastic threads.
2. Lift up on the two cover latches located on each side of the base cover.
3. Pull the front cover forward and remove.

Gear Plate Assembly Station Removal

1. Remove the front cover.
2. Remove the carrier frame.
3. Remove the large feed roller.
4. Disconnect the paper feed motor and the power connector from the system board. Note the routing of all cables.
5. Remove the two gear plate assembly screws from the carrier frame and remove the gear plate.

Gutter Pad / Maintenance Station Removal

1. Remove the front cover.
2. Remove the carrier frame.
3. Remove the two screws from the rear of the maintenance station.
4. Depress the two clips on the rear of the carrier frame and remove the maintenance station.
5. Remove the spring and actuator lever from the front of the maintenance station.
6. Lift and remove the wiper assembly.
7. Remove the cap assembly.
8. Remove the felt gutter pad.

Note: If any glue is present on the maintenance station during removal, replace the entire maintenance station.

Large Feed Roller Removal

1. Remove the front cover.
2. Remove the carrier frame.
3. Remove the exit roller.
4. Remove the small feed roller assemblies.
5. Remove the EOF flag.
6. Remove the mid frame.
7. Remove the bushings at the ends of the large feed roller and remove the roller.

Maintenance Wiper and Cap Removal

1. Remove the front cover.
2. Push the carrier to the left away from the maintenance station.
3. Gently pull the cap and wiper off their mountings.

Mid Frame / Star Roller Assembly Removal

1. Remove the front cover.
2. Remove the carrier frame.
3. Remove the exit roller.
4. Remove the small feed roller assemblies.
5. Remove the EOF flag.
6. Depress the latches located on the rear of the mid frame and remove the mid frame and star roller assembly.

Note: If any glue is present on the star roller assembly during removal, replace the star roller assembly. Do not reinstall the old star roller assembly.

Operator Panel Assembly Removal

1. Remove the front cover.
2. Remove the carrier frame.
3. Disconnect the operator panel cable from the system board.
Note the routing of the cable.
4. Remove the operator panel screw from the carrier frame.
5. Remove the operator panel.

Paper Feed Motor Removal

1. Remove the front cover.
2. Remove the carrier frame.
3. Disconnect the paper feed motor from the system board.
4. Remove the two screws mounting the paper feed motor to the gear plate assembly and remove the motor. Note the routing of all cables.

Paper Guide Removal

Slide the paper guide to the center of the printer, lift up and remove.

Power Connector Removal

1. Remove the front cover.
2. Remove the carrier frame.
3. Disconnect the power connector from the system board. Note the routing of all cables.
4. Remove the screw from the power connector and remove the power connector.

Printhead Carrier / Cable / Rod Removal

1. Remove the front cover.
2. Remove the carrier frame.
3. Disconnect the printhead carrier cables from the system board.
4. Remove the shaft retainers from the ends of the carrier rod.
5. Lift up on the right side of the carrier rod and slide it out the right side of the machine.

Note: The carrier is attached to the carrier belt between two raised tabs on the belt. Be sure to note this location when reinstalling the carrier.

6. Remove the carrier belt from the rear of the carrier.
7. Remove the carrier.
8. Depress and remove the printhead carrier cable retainer latch located on the carrier frame.
9. Remove the carrier cable and latch.
10. Remove the home sensor screw from the rear of the carrier.
11. Remove the printhead cable retainer clip screw from the rear of the carrier.
12. Depress the two clips on the top of the cradle assembly and remove the front of the cradle assembly.
13. Remove the carrier cable and note the routing of the cable and home sensor.

Note: If there is any glue on the carrier rod retainer clips, reinstall only one clip when replacing the carrier rod.

Rear Cover Removal

1. Open the rear cover.
2. Push the mounting tabs toward the center of the machine and remove the rear cover.

Sheet Feeder Removal

1. Remove the front cover.
2. Remove the carrier frame.
3. Remove the two screws that hold the sheet feeder to the carrier frame.
4. Remove the screw from the gear plate.
5. Depress the sheet feeder latch from the carrier frame and remove the sheet feeder.

Small Feed Rollers / EOF Removal

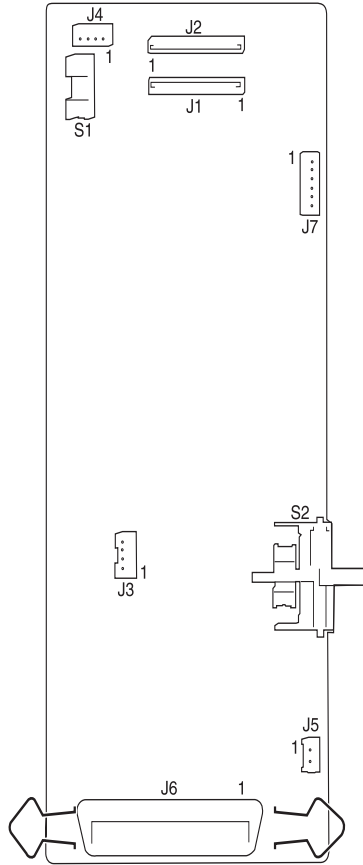
1. Remove the front cover.
2. Remove the carrier frame.
3. Remove the sheet feeder
4. Facing the rear of the machine, remove the small feed rollers.
5. Unhook the four small feed roller springs from the carrier frame and remove the small feed roller assemblies.
6. Slide the EOF flag to the right and remove. Note the positioning of the tension spring.

System Board Removal

1. Remove the front cover.
2. Remove the carrier frame.
3. Disconnect all connectors from the system board.
4. Remove the four system board screws from the system board. Note when removing the system board, be careful not to damage the end of form EOF flag.
5. Remove the system board.

5. Connector Locations

J1	Printhead Cable 1
J2	Printhead Cable 2
J3	Paper Feed Motor
J4	Carrier Transport Motor
J5	Power Connector
J6	Parallel Port
J7	Operator Panel
S1	EOF Sensor
S2	Access Door Sensor



6. Preventive Maintenance

This chapter contains the lubrication specifications. Follow these recommendations to prevent problems and maintain optimum performance.

Lubrication Specifications

Lubricate only when parts are replaced or as needed, not on a scheduled basis. Use grease P/N 99A0394 to lubricate the following:

- All gear mounting studs.
- The left and right ends of the large feed roller at the side frames.
- The carrier to carrier frame engagement.
- The carrier guide rod, and carrier guide rod bearings.

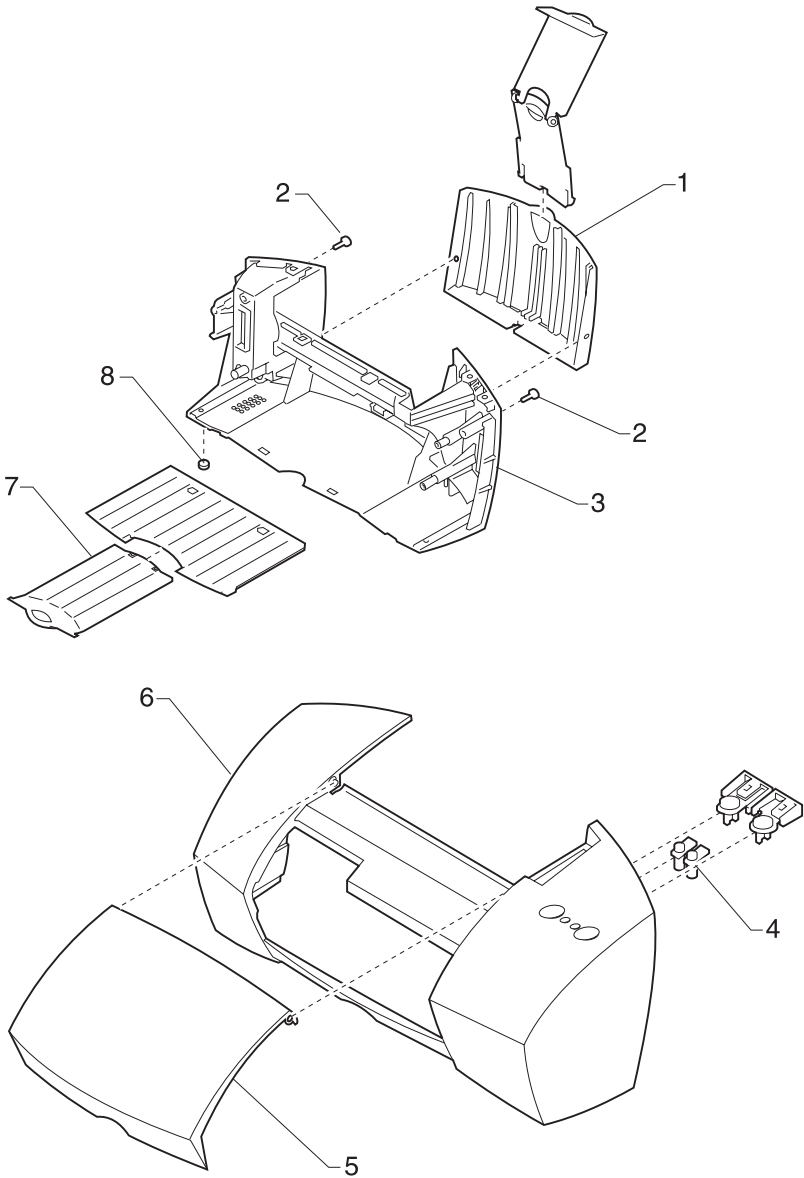
7. Parts Catalog

How to Use This Parts Catalog

- **SIMILAR ASSEMBLIES:** If two assemblies contain a majority of identical parts, they are broken down on the same list. Common parts are shown by one index number. Parts peculiar to one or the other of the assemblies are listed separately and identified by description.
- **NS:** (Not Shown) in the Asm-Index column indicates that the part is procurable but is not pictured in the illustration.
- **PP:** in the parts descriptions column indicates the part is available in the listed parts packet.

4097-00X

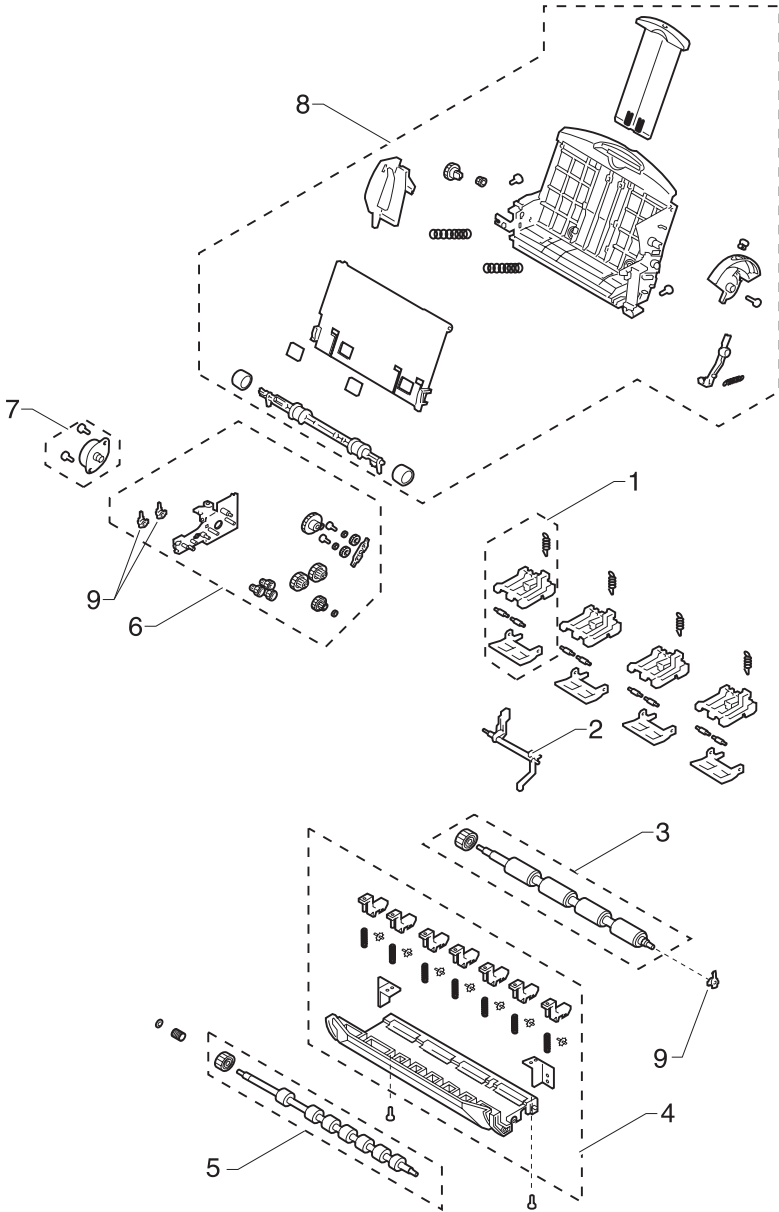
Assembly 1: Covers



4097-00X

Asm-Index	Part Number	Units	Description
1 -1	17D0561	1	Cover, Rear Asm (001)
1	17D0562	1	Cover, Rear Asm (002)
2	17D0590	2	Screws, (PP)
3	17D0550	1	Base Asm (001)
3	17D0551	1	Base Asm (002)
4	17D0560	1	Buttons and Lens Asm (Operator Panel)
5	17D0554	1	Cover, Access (001)
5	17D0555	1	Cover, Access (002)
6	17D0552	1	Cover, Front (001)
6	17D0553	1	Cover, Front (002)
7	17D0557	1	Tray, Exit Asm (001)
7	17D0558	1	Tray, Exit Asm (002)
8	17D0590	4	Feet, Machine (PP)
NS	7350160	1	Package, Plain B/M Includes: (Carton, Cushion Set, Sealing Tape)

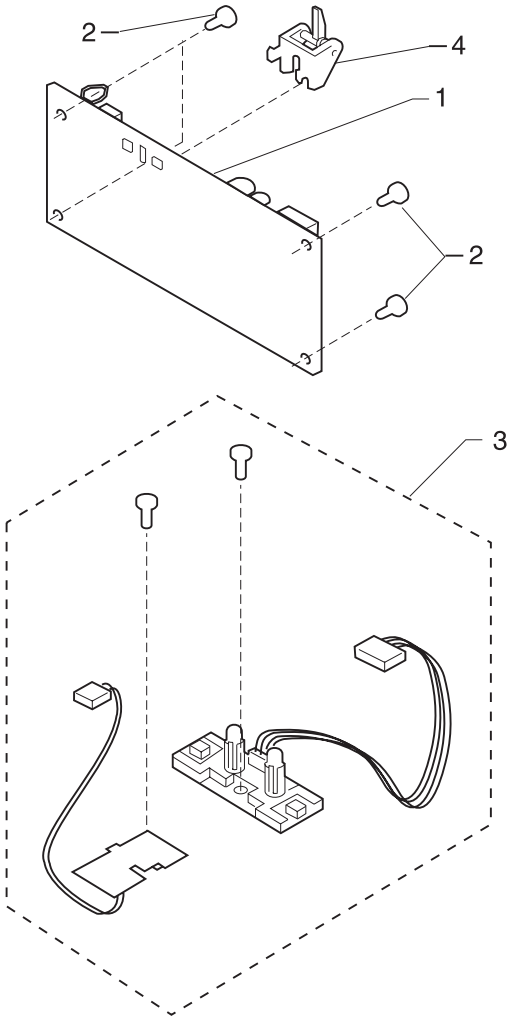
Assembly 2: Paper Feed / Carrier Transport



4097-00X

Asm-Index	Part Number	Units	Description
2 -1	17D0566	1	Roller, Small Feed Asm
2	17D0589	1	Lever, EOF Asm
3	17D0565	1	Roller, Large Feed with Gear Asm
4	17D0564	1	Roller, Star Asm / Mid Frame with Brackets
5	17D0569	1	Roller, Exit Asm with Gear
6	17D0568	1	Plate, Gear Asm without Motor
7	17D0567	1	Motor, Paper Feed Asm with Gear
8	17D0584	1	Sheet Feeder Asm (001)
8	17D0585	1	Sheet Feeder Asm (002)
9	17D0573	12	Bearings, Large Feed Roller

Assembly 3: Electronics

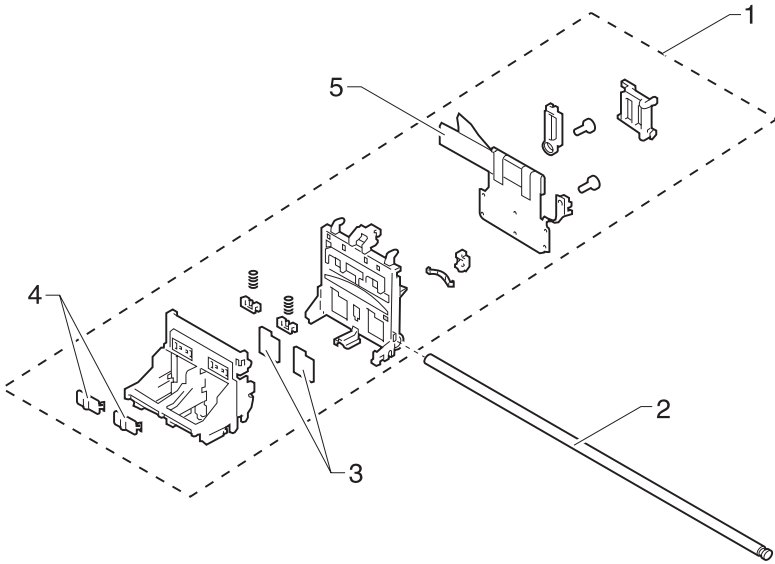


4097-00X

Asm-Index	Part Number	Units	Description
3 -1	17D0570	1	System Board
2	17D0590	4	Screws, (PP)
3	17D0559	1	Operator Panel / Power Connector
4	17D0574	1	Actuator Assembly
NS	17D0575	1	Power Supply, External (LV) 100 Japan
NS	17D0576	1	Power Supply, External (LV) 120
NS	17D0577	1	Power Supply, External (HV) 220

4097-00X

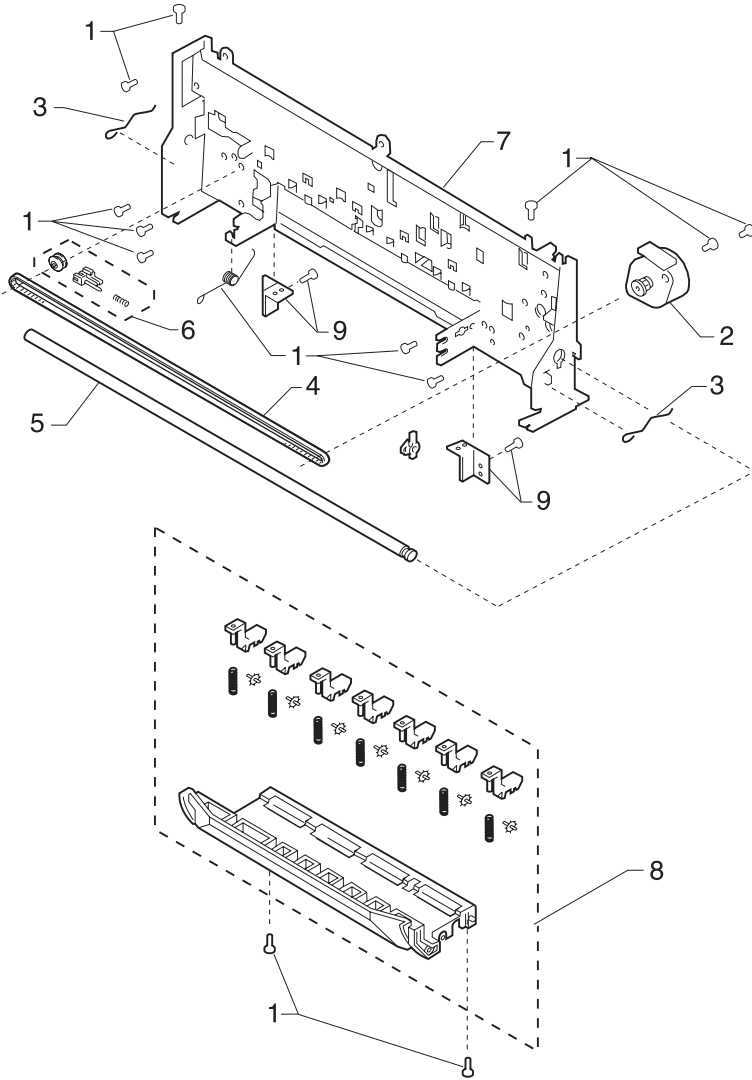
Assembly 4: Carrier



4097-00X

Asm-Index	Part Number	Units	Description
4 -1	17D0578	1	Carrier Assembly (Complete)
2	17D0580	1	Rod, Carrier Guide
3	17D0579	1	Printhead Rubber Backers
4	17D0581	1	Cartridge Interlock Keys
5	17D0572	1	Printhead / Home Sensor Cable

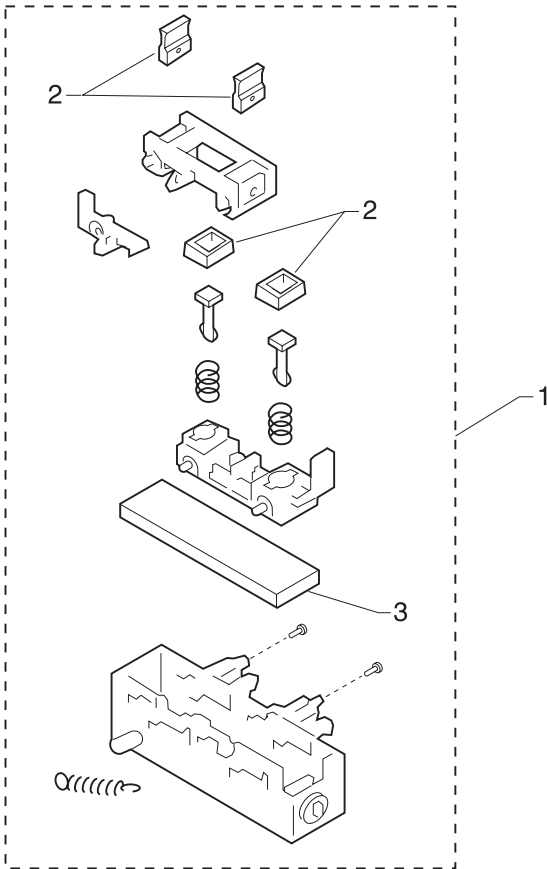
Assembly 5: Carrier Transport



4097-00X

Asm-Index	Part Number	Units	Description
5 -1	17D0590	11	Screws, (PP)
1	17D0590	1	Spring (PP)
2	17D0582	1	Motor, Carrier Transport with Gear
3	17D0590	2	Retainers, Carrier Guide Rod (PP)
4	17D0583	1	Belt, Carrier
5	17D0580	1	Rod, Carrier Guide
6	17D0588	1	Pulley, Idler Asm
7	17D0563	1	Frame, Carrier
8	17D0564	1	Roller, Star Asm / Mid Frame
9	17D0710	1	Accessory Packet II (Bracket Left & Right with Screws)

Assembly 6: Maintenance Station



4097-00X

Asm-Index	Part Number	Units	Description
7 -1	17D0586	1	Maintenance Station
2	17D0587	1	Wipers and Caps
3	17D0556	1	Gutter Pad

Index

A

- Abbreviations 1-2
- Adjustments 4-2
- Aids 3-1
- Assemblies
 - 1 Covers 7-2
 - 2 Carrier Transport 7-4
 - 2 Paper Feed 7-4
 - 3 Electronics 7-6
 - 4 Carrier 7-8
 - 5 Carrier Transport 7-10
 - 6 Maintenance Station 7-12

C

- Connector Locations 5-1

D

- Diagnostic Aids 3-1

E

- ESD-Sensitive Parts 4-1

G

- General Information 1-1

I

- Indicator Light Table 2-1

L

- Lubrication Specifications 6-1

M

- Maintenance Approach 1-2

P

- Parts
 - Carrier 7-8
 - Carrier Transport 7-4, 7-10
 - Covers 7-2
 - Electronics 7-6
 - Maintenance Station 7-12
 - Paper Feed 7-4
- Plastic Latches 4-2
- POST
 - Sequence 2-2
 - Symptom Table 2-2
- Power Consumption 1-1
- Preventive Maintenance 6-1
- Problems
 - Carrier Transport 2-3
 - Maintenance Station 2-3
 - Paper Feed 2-4
 - Power 2-4
 - Print Quality 2-4

R

- Removals
 - Access Cover 4-3
 - Base Asm 4-3
 - Buttons / Lenses 4-3
 - Carrier 4-7
 - Carrier Belt 4-3
 - Carrier Frame 4-3
 - Carrier Rod 4-7
 - Carrier Transport Motor 4-4
 - EOF Flag 4-8
 - Exit Roller 4-4
 - Front Cover 4-4
 - Gear Plate 4-4
 - Gutter Pad 4-5
 - Idler Pulley 4-3
 - Large Feed Roller 4-5
 - Maintenance Station 4-5
 - Mid Frame Assembly 4-6
 - Operator Panel 4-6
 - Paper Feed Motor 4-6

4097-00X

Paper Guide	4-6
Power Connector	4-7
Printhead Cable	4-7
Rear Cover	4-8
Sheet Feeder	4-8
Small Feed Rollers	4-8
Star Roller	4-6
System Board	4-8
Wipers & Caps	4-5
Repair Information	4-1

S

Safety Information	vi
Service Checks	
Carrier Transport	2-5
Envelope Feed	2-7
Maintenance Station	2-7
Paper Feed	2-8
Power	2-11
Start	2-1
Symptom Table (POST)	2-2
Symptom Tables	2-1, 2-3

T

Tests	
Test Page	3-1